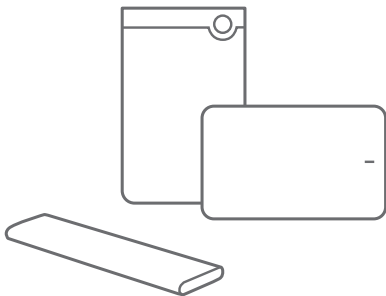


StoreJet[®] for Mac[®]

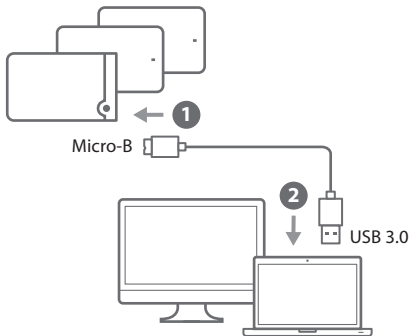
Portable Storage



 **Transcend[®]**

USB 3.0 / Micro-B

SJM100/300/500 Connecting to a Computer



3 Transcend Elite Software



Backup



Restore



Encryption



Decryption



Sync



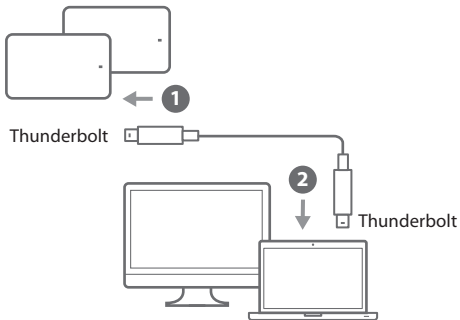
Cloud

<https://www.transcend-info.com/downloads>

Thunderbolt

SJM300/500

Connecting to a Computer



3 Transcend Elite Software

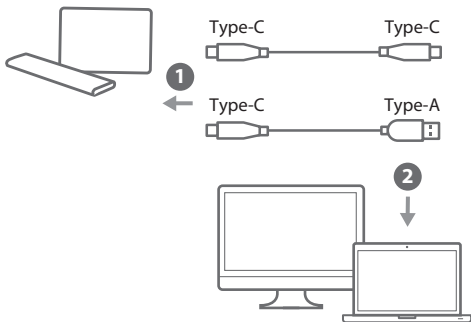


<https://www.transcend-info.com/downloads>

USB 3.1 / Type-C

SJM200/600

Connecting to a Computer



3 Transcend Elite Software



Backup



Restore



Encryption



Decryption



Sync



Cloud

<https://www.transcend-info.com/downloads>



Free Software Downloads

Transcend's JetFlash, StoreJet and Portable SSD products come bundled with Transcend Elite, a software that helps you keep your important data organized, protected and up-to-date. For detailed instructions or to download the latest Software or Firmware, please go to

www.transcend-info.com/downloads



Technical Support

For technical support, please contact us at

www.transcend-info.com/support/contact_form



Warranty and Disclaimer

Transcend's 3-Year Limited Warranty and Disclaimer: The Transcend StoreJet Portable/External Storage is backed by this warranty for three years from the date of purchase, subject to the applicable warranty terms and conditions, as defined in

www.transcend-info.com/warranty

Note: To ensure data safety, always follow the safe removal procedures when disconnecting your storage device from your desktop/notebook.