

Embedded Solutions



Half-Slim SSDs

HSD370 & HSD370I

Equipped with the SATA III 6Gb/s interface and a powerful controller, Transcend's HSD370 Half-Slim SSDs deliver outstanding transfer speeds in a compact form factor. Following the MO-297 standard set by JEDEC, SATA III 6Gb/s half-slim SSD modules undergo extensive reliability testing to ensure the utmost quality and performance, best suited to read-heavy applications and space-limited mobile devices such as industrial control systems, medical equipment, mobile devices, and POS terminals.

Transcend also offers the HSD370I with wide temperature (-40°C ~ 85°C) capabilities to ensure sustained functionality, enhanced endurance and optimal reliability in mission-critical applications.

Hardware Features

- Compliant with RoHS 2.0 standards
- DDR3 DRAM Cache embedded
- Promised operational reliability in a wide temperature range (from -40°C to 85°C)
- MLC NAND flash
- Compliant with JEDEC MO-297

Firmware Features

- Advanced Global Wear-Leveling and Block management for reliability
- Security Command
- Built-in BCH ECC (Error Correction Code) functionality
- Supports S.M.A.R.T. function to conduct health monitoring, analysis, and reporting for storage devices
- Power-saving DevSleep (Device Sleep) mode

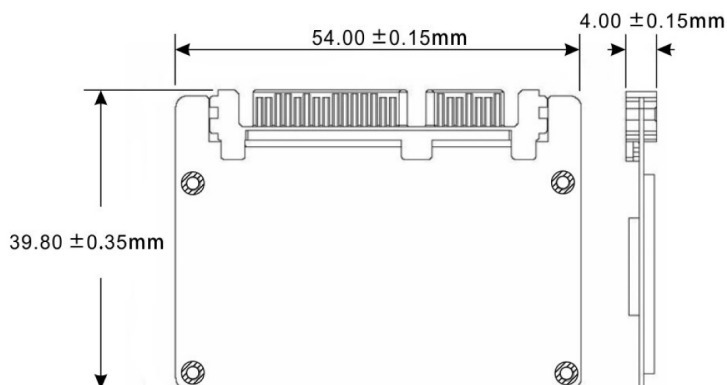
Ordering Information

16GB	TS16GHSD370 TS16GHSD370I
32GB	TS32GHSD370 TS32GHSD370I
64GB	TS64GHSD370 TS64GHSD370I
128GB	TS128GHSD370 TS128GHSD370I

Specifications

Appearance	Dimensions	54.0 mm x 39.8 mm x 4 mm (2.13" x 1.57" x 0.15")
	Weight	8 g (0.28 oz)
	Pin Count	7+15 pin
	Form Factor	Half-slim (MO-297)
Interface	Bus Interface	SATA III 6Gb/s
Storage	Capacity	16 GB / 32 GB / 64 GB / 128 GB
	Flash Type	MLC NAND flash
Operating Environment	Operating Voltage	5V±5%
	Operating Temperature	Standard Temp. 0°C (32°F) ~ 70°C (158°F)
		Wide Temp. -40°C (-40°F) ~ 85°C (185°F)
	Storage Temperature	-40°C (-40°F) ~ 85°C (185°F)
	Humidity	0% ~ 95%
	Shock	1500 G, 0.5 ms, 3 axis
Vibration (Operating)	20 G (peak-to-peak), 7 Hz ~ 2000 Hz (frequency)	
Power	Power Consumption (Operation)	1.85 watt(s)
	Power Consumption (Sleep)	0.38 watt(s)
Performance	Sequential Read/Write (CrystalDiskMark)	Read: up to 530 MB/s Write: up to 200 MB/s
	4K Random Read/Write (IOMeter)	Read: up to 70,000 IOPS Write: up to 50,000 IOPS
	Mean Time Between Failures (MTBF)	2,500,000 hour(s)
	Terabytes Written (TBW)	up to 360 TBW
	Drive Writes Per Day (DWPD)	2.6 (3 yrs)
Warranty	Certificate	CE / FCC / BSMI
	Warranty	Three-year Limited Warranty

Mechanical Dimensions



Product specifications are subject to change without notice. Pictures shown may differ from actual products. Total accessible capacity varies depending on operating environment. Due to the complexity and variety of industrial applications, Transcend cannot guarantee 100% compatibility with all platforms and under all scenarios. For special applications and environments, it is strongly suggested that you contact Transcend beforehand for clarification.