

## Embedded Solutions



USB

# UFM510H USB Flash Module (Horizontal)

Transcend's USB Flash modules are convenient, easy to implement solutions for expanding the memory capacity of industrial computers. These compact storage devices consume a minimal amount of power and feature a mechanical write protection switch. Due to their minimalist dimensions, these USB modules are suitable for use in small embedded systems.

## Hardware Features

- Compliant with RoHS 2.0 standards
- MLC NAND flash
- Low power consumption

## Firmware Features

- Advanced Global Wear-Leveling and Block management for reliability
- Advanced Garbage Collection
- Built-in BCH ECC (Error Correction Code) functionality

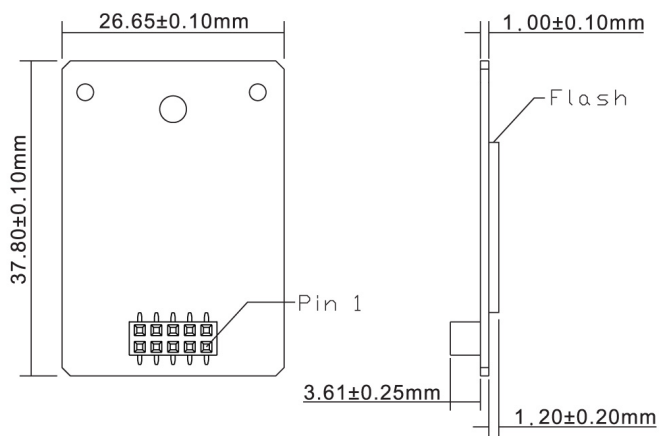
## Ordering Information

2GB	TS2GUFM510H
8GB	TS8GUFM510H
16GB	TS16GUFM510H
32GB	TS32GUFM510H

## Specifications

<b>Appearance</b>	Dimensions	37.8 mm x 26.65 mm x 5.81 mm (1.49" x 1.05" x 0.23")
	Weight	2 g (0.07 oz)
	Pin Count	10 pin
	Pitch	2.0mm (low profile type) 2.54mm (optional)
<b>Interface</b>	Connection Interface	USB 2.0
<b>Storage</b>	Flash Type	MLC NAND flash
	Capacity	2 GB / 8 GB / 16 GB / 32 GB
<b>Operating Environment</b>	Operating Voltage	5V±10%
	Operating Temperature	0°C (32°F) ~ 70°C (158°F)
	Storage Temperature	-40°C (-40°F) ~ 85°C (185°F)
	Humidity	5% ~ 95%
	Shock	1500 G, 0.5 ms, 3 axis
	Vibration (Operating)	20 G (peak-to-peak), 7 Hz ~ 2,000 Hz (frequency)
	Note	Default operating voltage: 5V±10% ; 3.3V±10% by request.
<b>Power</b>	Power Consumption (Operation)	0.69 watt(s)
<b>Performance</b>	Read Speed (Max.)	up to 33 MB/s
	Write Speed (Max.)	up to 18 MB/s
	Terabytes Written (TBW)	up to 56 TBW
	Mean Time Between Failures (MTBF)	3,000,000 hour(s)
	Note	Speed may vary due to host hardware, software, usage, and storage capacity. Terabytes Written (TBW) expresses the endurance under the highest capacity.
<b>Warranty</b>	Warranty	Three-year Limited Warranty
	Warranty Policy	Please click <a href="#">here</a> for more information about the Transcend Warranty Policy. Due to the complexity and variety of industrial applications, Transcend cannot guarantee 100% compatibility with all platforms and under all scenarios. For special applications and environments, it is strongly suggested that you contact Transcend beforehand for clarification.

## Mechanical Dimensions



Product specifications are subject to change without notice. Pictures shown may differ from actual products. Total accessible capacity varies depending on operating environment. Due to the complexity and variety of industrial applications, Transcend cannot guarantee 100% compatibility with all platforms and under all scenarios. For special applications and environments, it is strongly suggested that you contact Transcend beforehand for clarification.