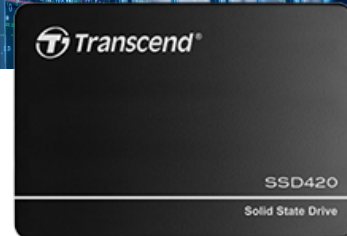


Embedded Solutions



2.5" SATA SSDs

SSD420P

Featuring the SATA III 6Gb/s interface, a powerful controller, and top-tier MLC NAND flash chips, Transcend's SSD420P ensures impeccable performance as well as reliability, and its built-in DRAM cache allows faster access. The SSD420P is fully tested in-house, boasting an endurance rating of 3K Program/Erase cycles and an extended operating temperature ranging from -20°C~75°C. The built-in Power Loss Protection (PLP) further ensures data integrity in mission-critical applications.

Hardware Features

- Compliant with RoHS 2.0 standards
- MLC NAND flash
- DDR3 DRAM Cache embedded
- Promised operational reliability in an extended temperature range (from -20°C to 75°C)
- Supports Transcend Scope Pro software

Firmware Features

- Built-in BCH ECC (Error Correction Code) functionality
- Advanced Global Wear-Leveling and Block management for reliability
- Supports S.M.A.R.T. function to conduct health monitoring, analysis, and reporting for storage devices
- Advanced Garbage Collection
- TRIM command for better performance

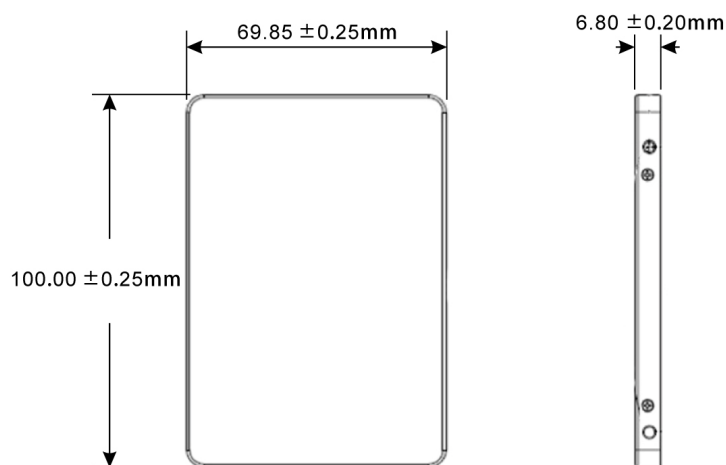
Ordering Information

32GB	TS32GSSD420P
64GB	TS64GSSD420P
128GB	TS128GSSD420P
256GB	TS256GSSD420P

Specifications

Appearance	Dimensions	100 mm x 69.85 mm x 6.8 mm (3.94" x 2.75" x 0.27")
	Weight	63 g (2.22 oz)
	Form Factor	2.5"
Interface	Bus Interface	SATA III 6Gb/s
Storage	Flash Type	MLC NAND flash
	Capacity	32 GB / 64 GB / 128 GB / 256 GB
Operating Environment	Operating Voltage	5V±5%
	Operating Temperature	Extended Temp. -20°C (-4°F) ~ 75°C (167°F)
	Storage Temperature	-40°C (-40°F) ~ 85°C (185°F)
	Humidity	5% ~ 95%
	Shock	1500 G, 0.5 ms, 3 axis
	Vibration (Operating)	20 G (peak-to-peak), 7 Hz ~ 2,000 Hz (frequency)
Power	Power Consumption (Operation)	1.7 watt(s)
	Power Consumption (IDLE)	0.35 watt(s)
Performance	Sequential Read/Write (CrystalDiskMark)	Read: up to 530 MB/s Write: up to 210 MB/s
	4K Random Read/Write (IOMeter)	Read: up to 70,000 IOPS Write: up to 50,000 IOPS
	Mean Time Between Failures (MTBF)	2,000,000 hour(s)
	Terabytes Written (TBW)	up to 360 TBW
	Drive Writes Per Day (DWPD)	2.6 (3 yrs)
Warranty	Certificate	CE / FCC / BSMI / UKCA
	Warranty	Three-year Limited Warranty

Mechanical Dimensions



Product specifications are subject to change without notice. Pictures shown may differ from actual products. Total accessible capacity varies depending on operating environment. Due to the complexity and variety of industrial applications, Transcend cannot guarantee 100% compatibility with all platforms and under all scenarios. For special applications and environments, it is strongly suggested that you contact Transcend beforehand for clarification.