

Embedded Solutions



microSD Cards USD400I

Utilizing top-quality MLC NAND flash, Transcend's microSDHC/XC400I memory cards combine the advantages of high performance and exceptional endurance. The microSDHC/XC400I can operate in a wide-temperature(-40°C ~ 85°C) environment, making it ideal for demanding industrial applications such as POS terminals, portable devices, and medical devices.

Hardware Features

- Compliant with RoHS 2.0 standards
- Compliant with SD specification 3.01
- Electrostatic protection (ESD IEC 61000-4-2)
- Compliant with UHS-I
- MLC NAND flash

Ordering Information

8GB	TS8GUSD400I
16GB	TS16GUSD400I
32GB	TS32GUSD400I
64GB	TS64GUSD400I

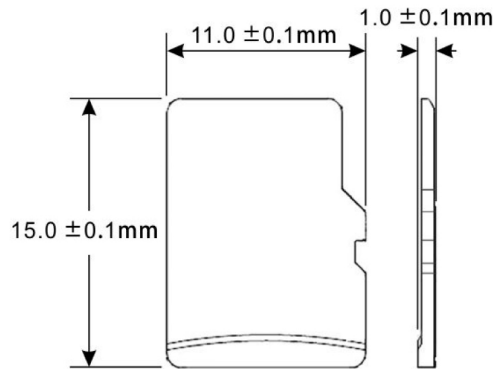
Firmware Features

- Built-in ECC (Error Correction Code) functionality
- Supports S.M.A.R.T. function to conduct health monitoring, analysis, and reporting for storage devices
- Wear-Leveling

Specifications

Appearance	Dimensions	11 mm x 15 mm x 1 mm (0.43" x 0.59" x 0.04")
	Form Factor	microSD flash card
Storage	Flash Type	MLC NAND flash
	Capacity	8 GB / 16 GB / 32 GB / 64 GB
Operating Environment	Operating Voltage	2.7V ~ 3.6V
	Drop Test	1.5m free fall
	Operating Temperature	Wide Temp. -40°C (-40°F) ~ 85°C (185°F)
	Storage Temperature	-40°C (-40°F) ~ 85°C (185°F)
	Humidity	0% ~ 95%
	Shock	Acceleration: 490 m/s ² (standard holding time: 11 ms, semi-sine wave, velocity change: 3.44 m/s)
	Vibration (Operating)	20 G (peak-to-peak), 20 Hz ~ 2,000 Hz (frequency)
Power	Power Consumption (Max.)	2.88 watt(s)
Performance	Read Speed (Max.)	up to 95 MB/s
	Write Speed (Max.)	up to 70 MB/s
	Terabytes Written (TBW)	up to 125 TBW
Warranty	Certificate	CE / FCC / BSMI / UKCA
	Warranty	Three-year Limited Warranty

Mechanical Dimensions



Product specifications are subject to change without notice. Pictures shown may differ from actual products. Total accessible capacity varies depending on operating environment. Due to the complexity and variety of industrial applications, Transcend cannot guarantee 100% compatibility with all platforms and under all scenarios. For special applications and environments, it is strongly suggested that you contact Transcend beforehand for clarification.